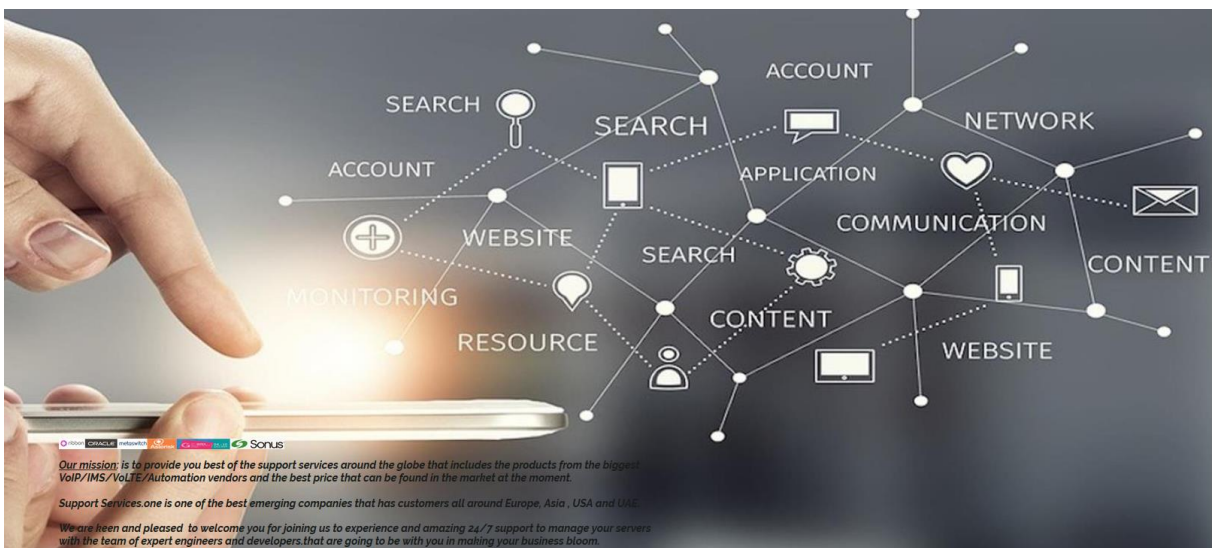


<https://www.supportservices.one>



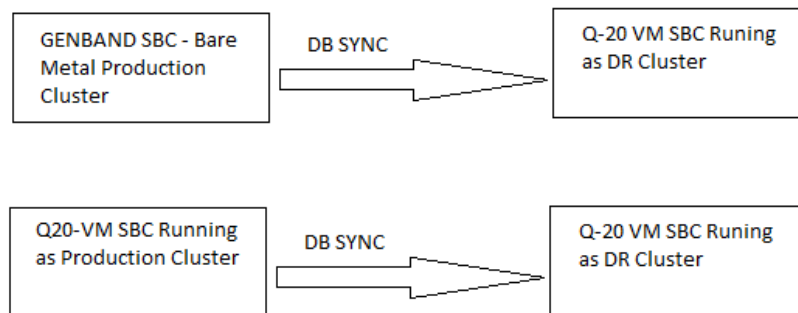
# SUPPORT-SERVICES-ONE

Disaster Recovery – Geo Redundancy Cluster(s)

**DR Site with Q-20 VM and Rest of HW Platforms:**

Q20-VM and rest of HW platforms (SBC/RSM) is able to support a DR (Disaster Recovery) installation. With DR in place, all the DB from the production SBCs is copied to the DR site at the specified time by the user or can be done manually whenever it is required on URGENT basis. If the Production site goes down, the DR site can be made active and it can start processing the calls normally.

The DR model can work with VM SBC deployment as well as with Bare Metal Servers e.g.



To schedule a meeting and to discuss your requirements please feel free to contact our commercial teams at (24/7):

Email/Skype (Commercial team): [commercial.support@supportservices.one](mailto:commercial.support@supportservices.one)